

A Comparative Study of Grid Integration of Renewable Energy Sources

Vrinda Vijayan

(Post Graduate student Power electronics and power systems, AdiShankara Institute of Engineering and Technology, Kalady, India- 683574)

Abstract: *In scenario the use of distributed energy resources is increasingly being pursued as an alternative to large conventional central power stations. In this paper, the new and existing trends in power electronics for the integration of wind and photovoltaic (PV) power generators are presented.. The common and future trends in the renewable energy systems based on the reliability of each technology are presented. The multiple port converters, which are capable of interfacing and controlling several power terminals and have the merits of low cost, high power density, high efficiency and compact structure. Then there is multiple stage conversion are needed. Energy storage systems are usually required to ensure the system stability and to improve the dynamic and steady state response when utility grid is not available, a bidirectional interfacing is necessary for the multiport converters.*

Keywords: *Energy storage systems, multiple port converters, renewable sources, photovoltaic systems*

I. Introduction

In the situation the expanding number of sustainable power sources requires new methodologies for the operation and administration of the framework. It is keeping in mind the end goal to enhance the power-supply unwavering quality and quality. In this innovation an essential part in mix of sustainable power sources into the electrical matrix. It is generally utilized as a part of the utilization of coordinated with the network based frameworks. The frameworks prompts new administration structures, in which exchanging of vitality and power is winding up plainly progressively critical. Among the prudent exploitable sustainable power sources, the wind vitality encountered the most across the board increment in overall ventures.

Over the most recent couple of years, more inexhaustible sources with higher appraised power were associated with the existent electrical matrix. The power hardware has a quick advancement, which is primarily because of two elements. The principal component is the advancement of quick semiconductor switches that are equipped for exchanging rapidly and dealing with high powers. The second is the presentation of continuous PC controllers that can execute progressed and complex control calculations. These components together with the advancement of savvy and network amicable converters. Vitality stockpiling in a power era framework empowers the decoupling of power era from interest. The power can be created at either low-request low-era cost or from discontinuous sustainable power sources is moved in time for discharge now and again of popularity high-era cost or when no other era is accessible. The proper network combination of sustainable power sources with capacity frameworks permits.

As of late, the photovoltaic frameworks have gotten uncommon consideration because of the worries of antagonistic impacts of broad utilization of the petroleum derivatives on the earth and vitality security. The lattice associated photovoltaic frameworks are still dwarfed by the power era plans in light of wind and the photovoltaic frameworks. It can be extensively characterized into remain solitary framework and lattice associated framework. The remain solitary frameworks is broadly utilized as a part of remote spots. It can give a very much controlled load voltage. The unwavering quality of the power supply can't be ensured. The Storage batteries ie, remain solitary are generally used to enhance the unwavering quality of the remain solitary framework. The control of a photovoltaic framework nourishing dc heaps of a PV framework to the network is quickly expanding because of the change in the power hardware innovations. In network associated PV frameworks (GCPVs) the produced PV power and it supplies the direct and nonlinear burdens associated at the air conditioner side or the matrix. A lattice associated PV framework with a battery reinforcement has many points of interest, for example, the pinnacle shaving to produce control amid pinnacle stack hours, and, the network side inverter ought to work in matrix tied mode and off lattice mode to supply continuous energy to the basic burdens amid power blackouts. In a few applications, a battery was associated straightforwardly in parallel with the dc transport.

The sun powered photovoltaic (PV) and wind have developed as a vitality sources due to their ecofriendly in nature and cost viability. Be that as it may, these sources are discontinuous in nature. Subsequently, it is a test to create a steady and ceaseless power utilizing these sources. This can be proficiently coordinating with vitality stockpiling components. The PV framework comprises of three power sources and three power sinks, for example, matrix, battery, and load and so on... , and a power stream administration framework (PMS) to adjust the power stream among these sources.

An exceptional control calculation is produced for choosing the working method of bidirectional converter by detecting the battery voltage. The bidirectional converter has three methods of operation to be specific, the rectifier mode, inverter mode, and the voltage control mode. The voltage control mode, converter manages the inverter voltages and supplies the responsive energy to the matrix.

1. Wind-Turbine Technology

The different options for producing electricity from renewable energy sources. Consequently, there are several ways of connecting the gained electricity with the existing grid such as wind, hydro, solar, biomass, photovoltaic cells and bio fuels etc... The electricity is induced by asynchronous or synchronous generators except for photovoltaic cells. This operation creates co-current flows and gets through an inverted rectifier into the power grid.

The variability of wind power limits grid penetration and increases costs. At high penetration levels, the variable output of wind requires utilities to dedicate much of their available reserve generation. Different types of wind-turbine technologies are follows,

1.1 Variable-Speed Wind Turbines

Another innovation has been produced in the wind control advertise presenting variable-speed working conditions depending up on the twist speed to improve the vitality caught from the wind. The primary favorable circumstances of variable-speed turbines are their yearly vitality catch is around 5% more prominent than the settled speed innovation. The dynamic and responsive forces created can be effortlessly controllable. There is less mechanical anxiety. Quick power vacillations are rare in light of the fact that the rotor goes about as a flywheel. In by and large, no flash issues are happen with variable-speed turbines. Variable-speed turbines are likewise permit the lattice voltage to be controlled, as the variety of the receptive power era. The disservices are, variable-speed wind turbines require a power converter that expands the segment check and make the control is more unpredictable. The general cost of the power hardware is 7% of the entire of the wind turbine.

1.2 Current Wind-Power Technology

The variable-speed operation can be achieved by decoupling the electrical grid frequency and mechanical rotor frequency. The power-electronic converters are used, such as an ac-dc-ac converter combined with advanced control systems. They are,

1.1.1 Variable-Speed Concept Utilizing Doubly Fed Induction Generator (DFIG)

The advancement of energy gadgets and their applications, the wind vitality extraction considered variable speed operation of the wind turbine. The variable-speed wind turbines are executed with either doubly sustained enlistment generator (DFIG) or a full-control converter. In a variable-speed twist turbine with full-control converter, the wind turbine is associated with the generator, which is normally utilized a lasting magnet synchronous generator (PMSG). Symphonious outflows are perceived as a power quality issue for the present day variable-speed wind turbines. The conduct of music of this turbine is so as to investigate their impact on the electrical matrices.

In a variable-speed turbine with DFIG, it comprises of a stator and a rotor. The converter encourages the rotor winding. While the stator winding is associated straightforwardly to the network. This converter, along these lines decoupling mechanical and electrical frequencies and it making variable-speed operation conceivable, and can shift the electrical rotor recurrence. This turbine can't work in the full range from zero to the evaluated speed. Yet, the speed range is very adequate. This speed range is created by the way that a converter that is extensively littler than the appraised energy of the machine is utilized. On a fundamental level, say that, the proportion between the extent of the converter and the wind-turbine rating is half of the rotor-speed traverse. In the way that the converter is littler, the misfortunes are additionally lower. The control conceivable outcomes of the responsive power are like the full power-converter frameworks.

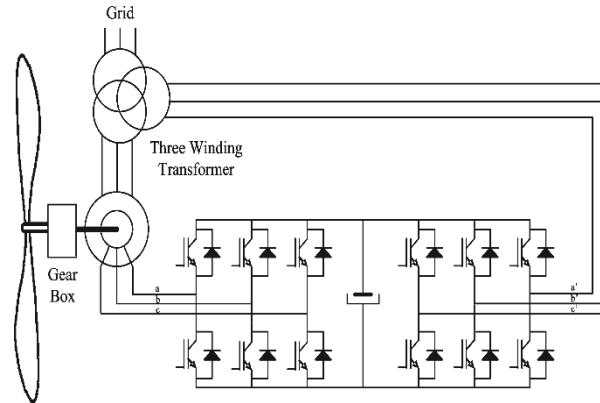


Fig 1: Single doubly fed induction machine with two fully controlled ac–dc power converters.

The forced switched power-converter scheme is shown in Fig. 1. The converter includes two three-phase ac–dc converters connected by a dc capacitor battery. This scheme allows, on one hand, and a vector control of the active and reactive powers of the machine, and on other hand, a decrease by a high percentage of the harmonic content injected into the grid by the power converter.

1.1.2 Variable-Speed Concept Utilizing Full-Power Converter

In factor Speed Concept Utilizing Full-Power Converter, the generator is totally decoupled from the matrix. The vitality from the generator is redressed to a dc connection and after that it is changed over to a reasonable air conditioning vitality for the lattice. Most of the wind turbines are outfitted with a multi post synchronous generator. It is very conceivable to utilize an enlistment generator and a gearbox. The expelling of rigging box there are a few benefits. It lessens misfortunes, bring down expenses because of the end of this costly part, and expanded unwavering quality because of the end of pivoting mechanical segments.

1.1.3 Grid-Connection Standards for Wind Farms

Voltage Fault Ride-Through Capability of Wind Turbines.

The wind limit expands, the system administrators need to guarantee that customer control quality is not traded off. To empower an extensive scale uses of twist vitality without bargaining the power-framework security. The turbines ought to remain associated and add to the lattice if there should arise an occurrence of an aggravation, for example, a voltage plunge. Wind homesteads ought to produce like ordinary power plants, and providing dynamic and receptive forces for recurrence and voltage recuperation, instantly after the blame happened.

A few utilities have presented the uncommon network association codes for wind-cultivate engineers, covering receptive power control, recurrence reaction, and blame ride through, particularly in spots where wind turbines accommodate a huge piece of the aggregate power.

II. PV Technology

Here PV frameworks are a vitality asset correlative in half and half frameworks have been getting to be plainly achievable because of the expansion of innovative work. Keeping in mind the end goal to expand the accomplishment of the PV frameworks, a high dependability, a sensible cost, and an easy to use configuration must be accomplished in the proposed PV topologies.

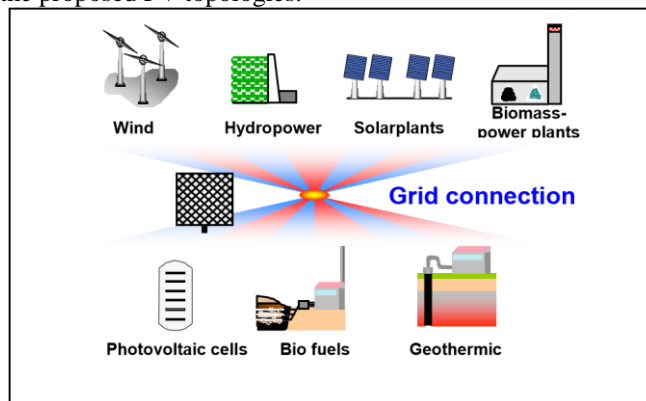


Fig 2 Grid connection application

When all is said and done, PV cells can be associated with the matrix (network association application). They can be utilized as separated power supplies. A few characterizations of converter topologies should be possible concerning the quantity of energy preparing stages, area of energy decoupling capacitors, utilization of transformers, and types of matrix interface. These two unique utilizations of PV frameworks are appeared in Fig.2, Fig.3.

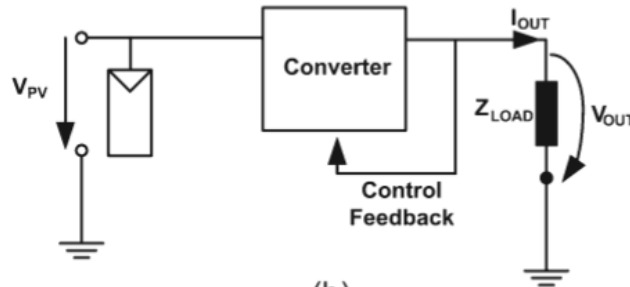


Fig 3 Power supply application

In the sun powered cells are gadgets that change over daylight straightforwardly into power. Sun oriented cells are made of layers of semiconductor materials and like those utilized as a part of PC chips. At the point when daylight is consumed by these materials, the sun oriented vitality thumps electrons free from their orbitals, permitting the electrons to course through the material to create power.

The expanding interest for bio-powers it has a typical the ethanol generation in sugar process creation plants. The electrical vitality era in such plants picked up center in the national vitality scene. Such plants are expanding their creation and are building bigger establishments everywhere throughout the country. The examination of accessible in the matrix framework is appeared in fig 4.

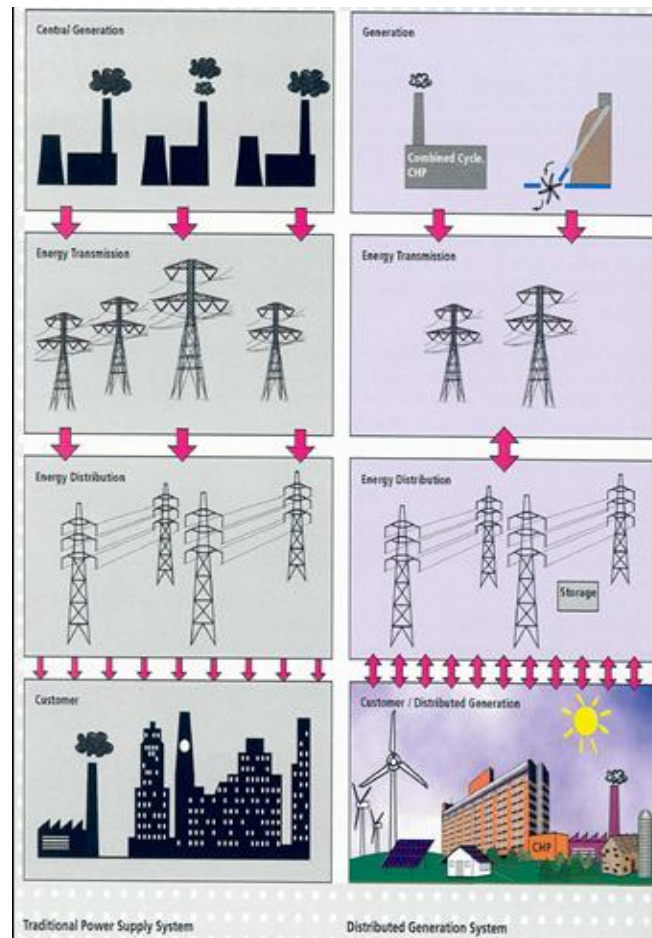


Fig 4 comparison of available grid systems

III. Conclusion

The new power-electronic technology has an important role in the integration of renewable energy sources into the grid. It should be possible to develop the power-electronic interface for the highest projected turbine rating. To optimize the energy conversion, transmission and control reactive power, to minimize harmonic distortion, to achieve at a low cost and a high efficiency over a wide power range, and to have a high reliability and tolerance to the failure of a subsystem component. This paper proposes a control strategy for power flow management in a grid-connected PV system feeding dc loads has been presented. The configuration has been proved to be attractive from the providing uninterruptible power to dc loads while ensuring the evacuation of excess PV power of high quality into the grid.

References

Journal Papers:

- [1] X. Q. Guo and W. Y. Wu, "Improved current regulation of three-phase grid-connected voltage-source inverters for distributed generation systems," *IET Renew. Power Gener.*, vol. 4, no. 2, pp. 101–115, Mar. 2010.
- [2] H. C. Chiang, T. T. Ma, Y. H. Cheng, J. M. Chang, and W. N. Chang, "Design and implementation of a hybrid regenerative power system combining grid-tie and uninterruptible power supply functions," *IET Renew. Power Gener.*, vol. 4, no. 1, pp. 85–99, Jan. 2010.
- [3] F. Giraud and Z. M. Salameh, "Steady-state performance of a grid connected roof top hybrid wind–photovoltaic power system with battery storage," *IEEE Trans. Energy. Convers.*, vol. 16, no. 1, pp. 1–7, Mar. 2001.
- [4] J. M. Carrasco, L. G. Franquelo, J. T. Bialasiewicz, E. Galván, R. C. P. Guisado, M. A. M. Prats, J. I. León, and N. Moreno-Alfonso, "Power electronic systems for the grid integration of renewable energy sources: A survey," *IEEE Trans. Ind. Electron.*, vol. 53, no. 4, pp. 1002–1016, Aug. 2006.
- [5] Z. Yao, L. Xiao, and Y. Yan, "Seamless transfer of single phase grid interactive inverters between grid connected and standalone modes," *IEEE Trans. Power Electron.*, vol. 25, no. 6, pp. 1597–1603, Jun. 2010.
- [6] H. Patel and V. Agarwal, "Investigations into the performance of photovoltaic-based active filter configurations and their control schemes under uniform and non-uniform radiation conditions," *IET Renew. Power Gener.*, vol. 4, no. 1, pp. 12–22, Jan. 2010.
- [7] C. W. Chen, C. Y. Liao, K. H. Chen, and Y. M. Chen, "Modelling and controller design of a semi isolated multi input converter for a hybrid PV/wind power charger system," *IEEE Trans. Power Electron.*, vol. 30, no. 9, pp. 4843–4853, Sep. 2015.
- [8] R. G. Wandhare and V. Agarwal, "Novel integration of a PV-wind energy system with enhanced efficiency," *IEEE Trans. Power Electron.*, vol. 30, no. 7, pp. 3638–3649, Jul. 2015.